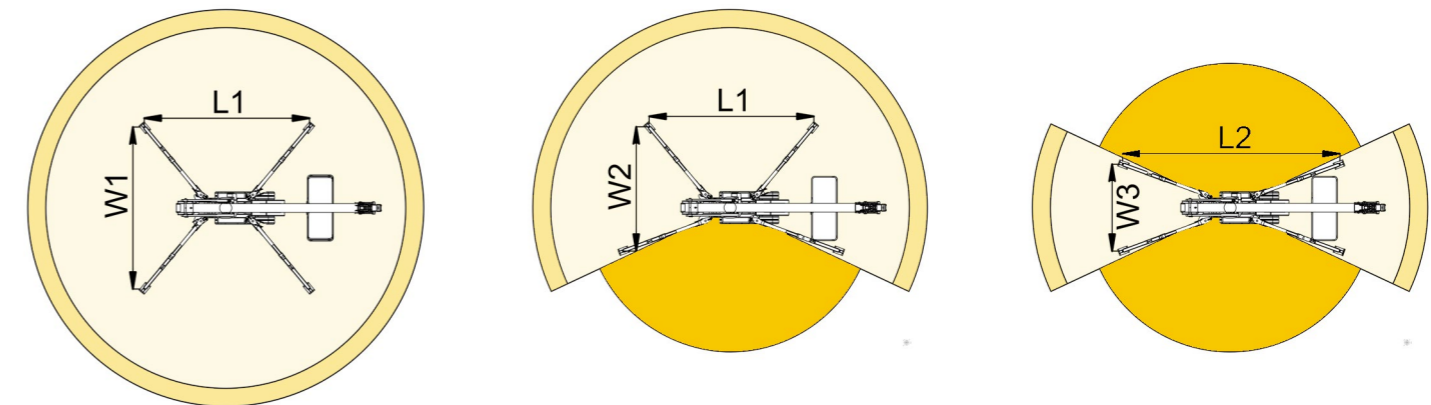
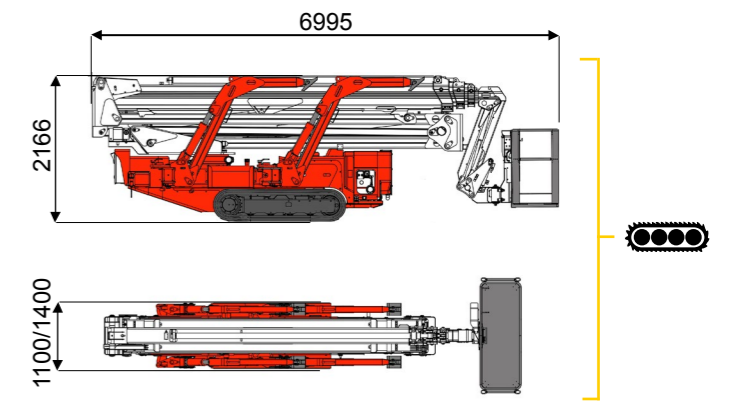
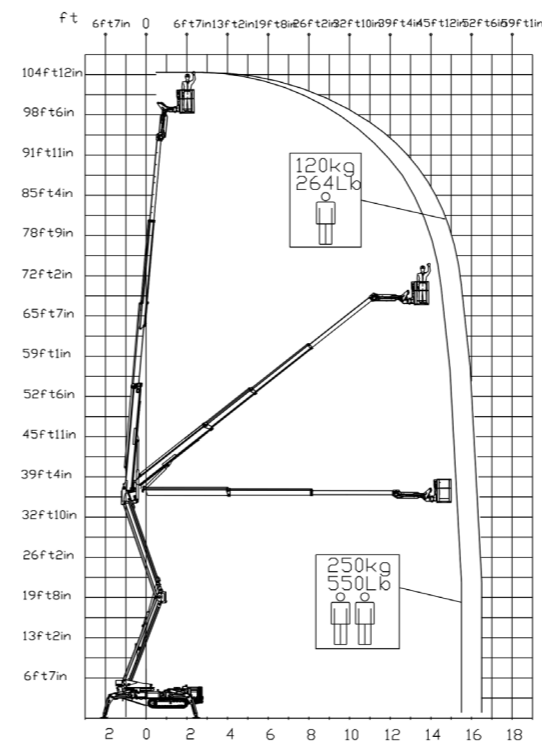




**32 m** ↑  
**16,4 m** →  
**250 Kg** 👤 👤



15,4 m	16,4 m	9,5 m	L1	L2	W1	W2	W3
250 kg	120 kg	120/250 kg	4725 mm	6170 mm	4910 mm	4020 mm	3130 mm

<b>BI-ENERGY</b> Diesel+AC															
<b>TZ 330+/C</b>		32 m	16,4 m	250 kg	110°	660°	180x70 cm	90°+90°	3,13-4,91 m	18%	32%	2,4 km/h	6700 kg	49 kN	2,89 kN/m <sup>2</sup> 5,32 kN/m <sup>2</sup>

Available version:

- BI-ENERGY (DIESEL+AC)
- ECO (DC+AC)
- HYBRID (DIESEL+DC)

Characteristics and technical data are informative only and subjected to change without notice.