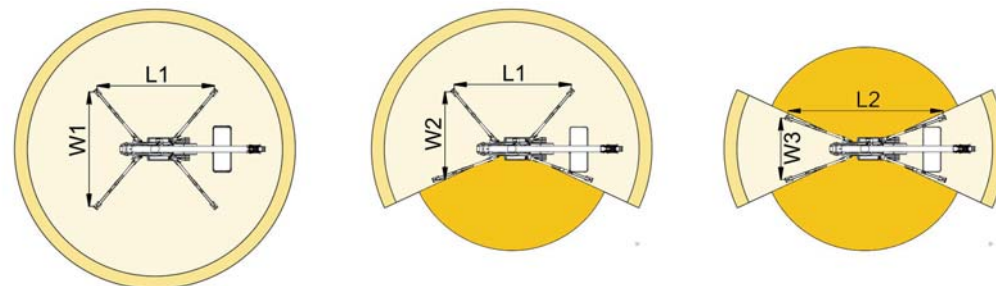
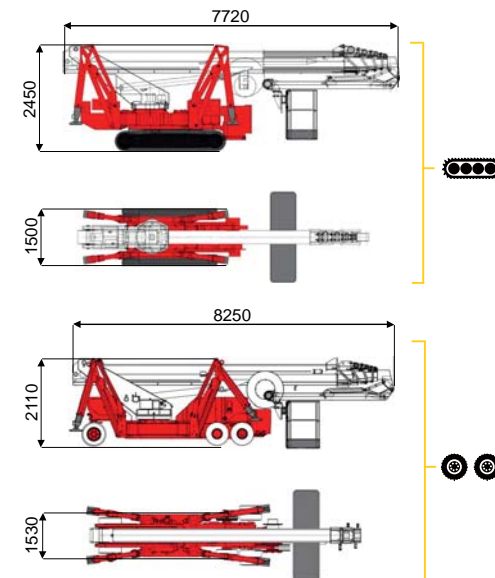
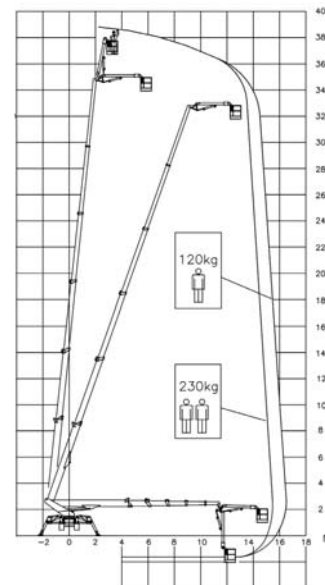


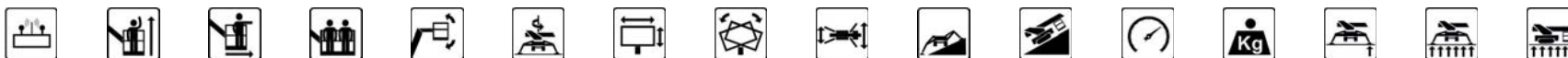


39 m ↑
16,5 m →
230 Kg 👤 👤



15,5 m	16,5 m	10 m	L1	L2	W1	W2	W3
230 kg	120 kg	120/230 kg	4960 mm	6200 mm	4700 mm	3810 mm	2920 mm

BI-ENERGY
Diesel+AC



TSJ 39/C	☹☹☹	39 m	16,5 m	230 kg	170°	660°	240x70 cm	90°+80°	2,92-4,7 m	18%	40%	2,2 km/h	8200 kg	47 kN	3,52 kN/m ²	4,43 kN/m ²
TSJ 39/R	☹☹	39 m	14,9 m	230 kg	170°	660°	240x70 cm	90°+80°	2,92-4,7 m	31%	12%	1,4 km/h	7600 kg	47 kN	3,26 kN/m ²	3,84 kN/m ²

Available version:

- BI-ENERGY (DIESEL+AC)
- ECO (DC+AC)
- HYBRID (DIESEL+DC)

Characteristics and technical data are informative only and subjected to change without notice.