



PIATTAFORMA PER LAVORO AEREO AUTOCARRATA

TRUCK-MOUNTED AERIAL LIFT WORK PLATFORM

HUBARBEITSBÜHNE AUF LKW

NACELLE ÉLÉVATRICE ARTICULÉE



PTJ 270 S

isoli@isoli.com | www.isoli.com





DIMENSIONI / OVERALL DIMENSION / GESAMTABMESSUNGEN / DIMENSIONS [mm]

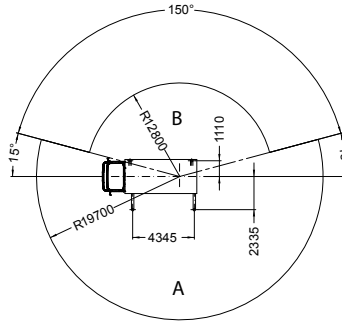
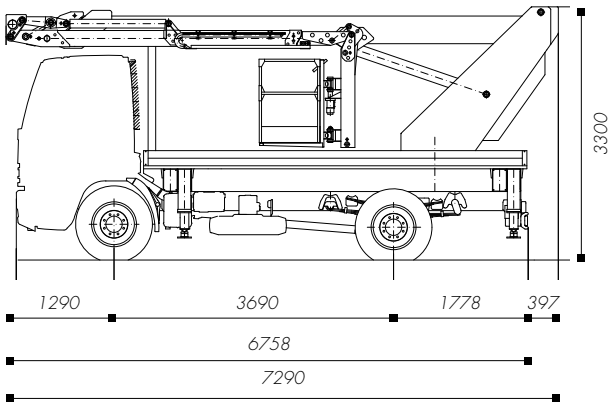
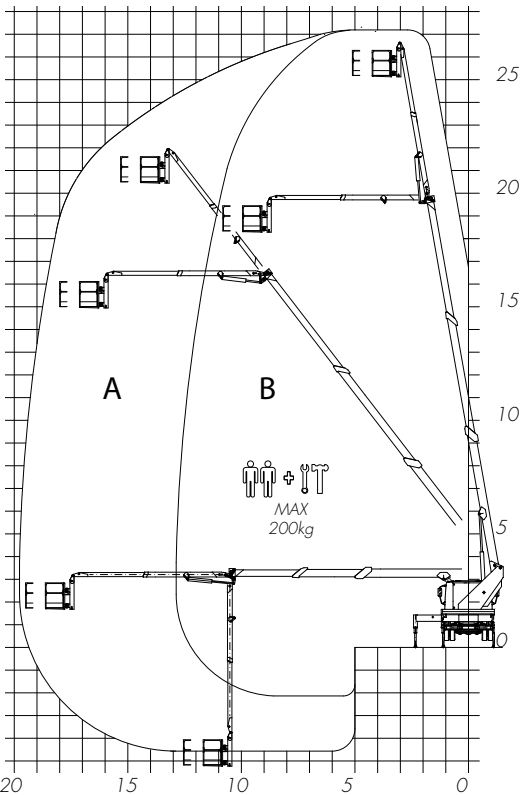











DIAGRAMMA DI LAVORO / WORKING DIAGRAM / ARBEITSDIAGRAMM / SCHÉMA DE TRAVAIL [m]



CARATTERISTICHE TECNICHE / TECHNICAL FEATURES / TECHNISCHE EIGENSCHAFTEN / DETAILS TECHNIQUES

	Sbraccio max. di lavoro Max. working boom extension Max. Reichweite Portée à hauteur maximale	19,70 m
	Portata Capacity Traglast Charge utile	200 Kg
	N. operatori N. operators Anzahl Personen N. opérateurs	2
	Altezza piano calpestio Walk-on surface height Korbodenhöhe Hauteur plancher	25,00 m
	Rotazione sovrastruttura Upperstructure rotation Drehung Oberwagen Rotation tourelle	360° continua 360° continuous 360° kontinuierlich 360° continue
	Cesta Basket Arbeitskorb Panier	Alluminio 2200x800x1100 mm Aluminium 2200x800x1100 mm Alluminium 2200x800x1100 mm Aluminium 2200x800x1100 mm
	Rotazione cesta Basket rotation Korbsschwenkung Rotation panier	90° dx/sx 90° R.-H./L.-H. 90° re/li 90° droite/gauche
	Comandi Controls Steuerungen Commandes	Elettroidraulici Electro-hydraulic Elektrohydraulisch Électrohydrauliques
	Stabilizzatori Outriggers Abstützungen Stabilisation	Verticale H-H / H-E DX SX Vertical HH / H-E RH-LH Vertikal HH / HE RE LI verticale HH / HE D G